

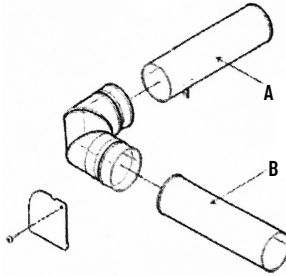


SUPPLYING DEMAND®

# VENTING INSTALLATION INSTRUCTIONS

## SD3911EZ9131X

**IMPORTANT:** Unplug your appliance and turn off power at the breaker before servicing. If you have doubts or are unfamiliar with this type of installation work, seek the services of a qualified Service Technician. Supplying Demand assumes no responsibility for the improper installation of this product.



### KIT CONTENTS

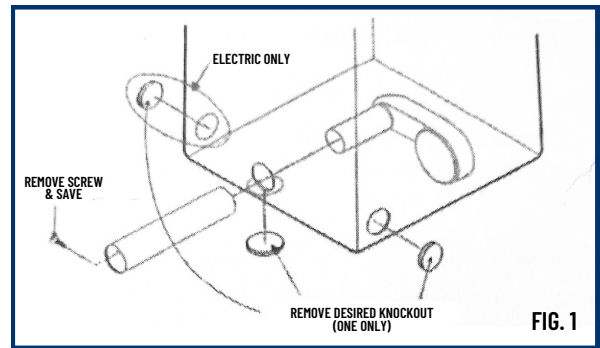
- (1) Duct Outlet (A) (blower - elbow)
- (1) Duct Elbow
- (1) Duct Outlet (B) (elbow - outlet)
- (1) Cover Plate
- (1) Installation Instruction
- (1) Screw

### TOOLS REQUIRED

- #2 Phillips Screwdriver
- Duct Tape
- Gloves
- Cut Resistant Sleeves
- Flat Head Screwdriver

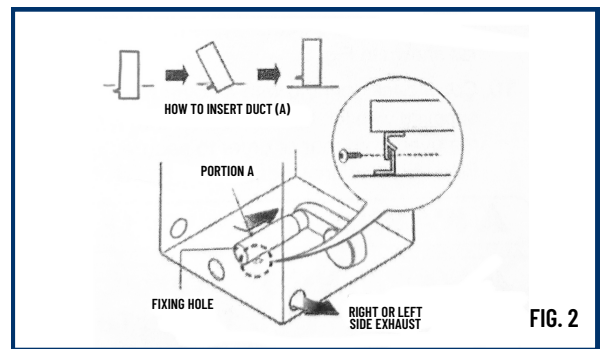
## PREPARING EXHAUST INSTALLATION

1. Detach and remove the bottom, right, or left side knockout as desired.
2. Remove the screw from the rear of the dryer and save.
3. Pull the duct out of the dryer. (Fig. 1)



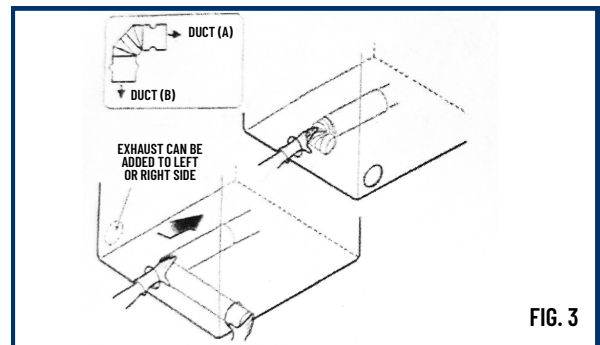
## ADDING NEW DUCT

4. Connect the new duct (A) supplied with the kit. Make sure that the duct is aligned with the bracket in the base as shown in (Fig. 2).
5. Use the screw supplied with the kit to secure the duct in place through the bracket on the appliance base.



## ADDING ELBOW & DUCT FOR EXHAUST TO LEFT OR RIGHT SIDE OF THE CABINET

6. Beware of the direction of the elbow.
7. Insert 4" elbow through the rear of the dryer and connect the elbow to the dryer internal duct as shown in (Fig. 3). Wrap duct tape around the joint as shown in (Fig. 5).
8. Insert 4" duct through the side opening and connect the duct to the elbow.



**CAUTION:** Be sure not to pull or damage the electrical wires inside the dryer when inserting the duct.



FLIP OVER TO CONTINUE



SUPPLYING DEMAND®

# VENTING INSTALLATION INSTRUCTIONS

## SD3911EZ9131X

### ADDING ELBOW FOR EXHAUST THROUGH THE BOTTOM OF THE CABINET

6. Cut the elbow as shown in (Fig. 4).
7. Insert the elbow through the rear opening and connect it to the dryer internal duct.
8. Apply duct tape on the joint between the dryer internal duct and elbow, as shown in (Fig 5.).

**CAUTION:** Internal duct joints must be secured with tape, otherwise they may separate and cause a safety hazard.

Apply duct tape as shown on the joint between the dryer internal duct and the elbow.

**CAUTION:** Internal duct joints must be secured with tape, otherwise they may separate and cause a safety hazard.

### ADDING THE COVER PLATE TO THE REAR OF THE CABINET (SIDES AND BOTTOM EXHAUST)

9. Connect the standard metal elbows and ducts to complete the exhaust system as shown in (Fig. 6).
10. Cover the back opening with the cover plate supplied with the kit. Use the screw that was removed from the rear of the dryer to secure. Place the dryer in its final location.

**WARNING:** Never leave the back opening without the plate. To reduce the risk of fire, be sure to clean the vents of the dryer at least once a year. A qualified service technician can perform this service to ensure that it is done properly if you are uncomfortable with this type of work.

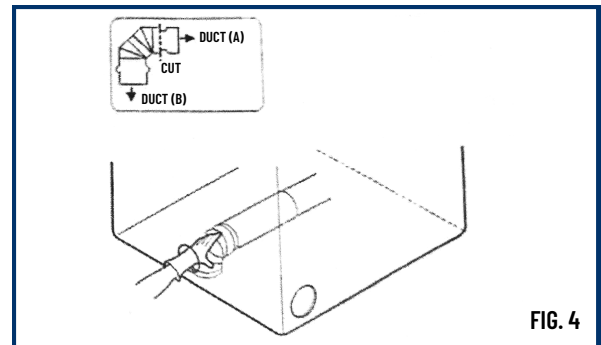


FIG. 4

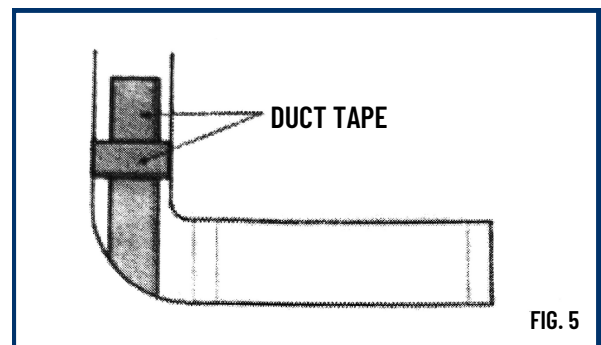


FIG. 5

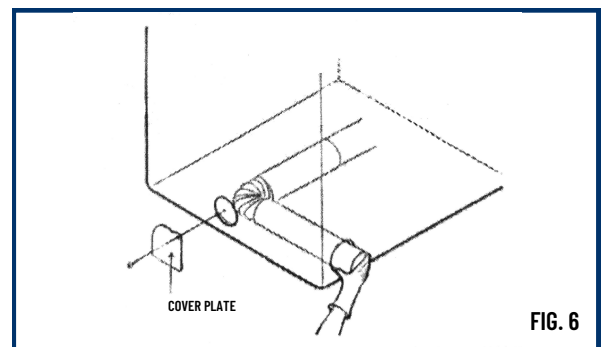


FIG. 6